

MBB F 1500 L



The MBB F 1500 L is a lightweight, 2-cylinder tuckunder tail lift, with an aluminium platform capable of lifting 1500 kg at a 600mm load centre. Its folding platform stows under the vehicle chassis, providing clear access to the rear of the vehicle when required.

It comes with a large, 1415mm deep platform, designed for dry freight applications, making it ideal for lifting pallets and trolleys alike. With two lift-cylinders and parallel support arms, stable operation is ensured at all times.

Added safety is achieved with Palfinger's proven mechanical auto levelling system.

The powerpack is mounted in the main beam for low noise and protection against the elements.

FEATURES: Fixed control • pendant control • platform auto levelling
• roll stops • flashing lights • foot controls

PHONE: 1300 300 375

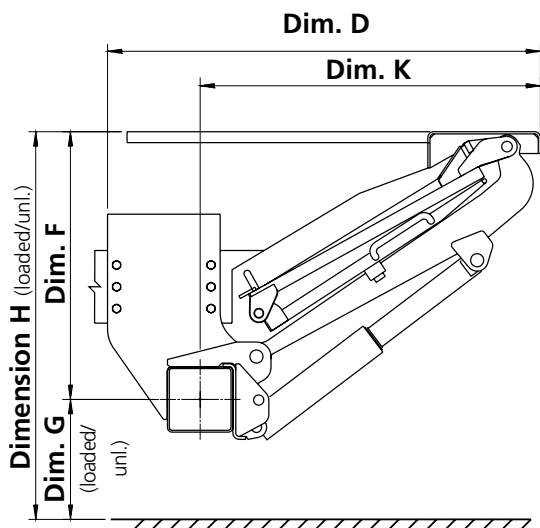
goughtransport.com.au info@goughtransport.com.au

GOUGH

Transport Solutions



Robust, and ideal for refrigerated vehicles



Dimensions

		F 1500 L
Lift arms (in mm)		900
H (max.)	Loading height unloaded	1455
H (min.)	Loading height loaded	1085
F (max.)	Middle of main beam to upper edge of loading floor	815
K (min.)	At dimension F (max.)	841
D (min.)	Installation space (min.)	1181
F (min.)		685
K (max.)	At dimension F (min.)	958
D (max.)	Installation space (max.)	1291
G (max.)	Unloaded (middle of main beam to ground)	640
G (min.)	Loaded	400
E (max.)	Vehicle frame width (max.)	980
E (min.)	Vehicle frame width (min.)	650

Technical data

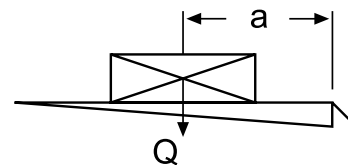
		F 1500 L
Lifting capacity		1500 kg
Main beam		180 x 180 mm
Lifting gear hydraulics		2 lifting cylinders
Lift arm pitch		1310 mm
Load centre - lengthwise		600 mm
Load centre - across centre		50 % of the full load on one side
Inclination angle of the platform		+8° to -8°

Weights

		F 1500 L
Platform type		Alum.
width (mm)		2070
height (mm)		1415
weight (kg)		335

Diagram

F 1500 L	
a (mm)	Q (kg)
600	1500
720	1250
900	1000
1200	750



Disclaimer: The specified weights refer to the lightest platforms of the corresponding height. Dimensions may vary. Specifications subject to change without notice.

PHONE: 1300 300 375

goughtransport.com.au info@goughtransport.com.au

GOUGH Transport Solutions

