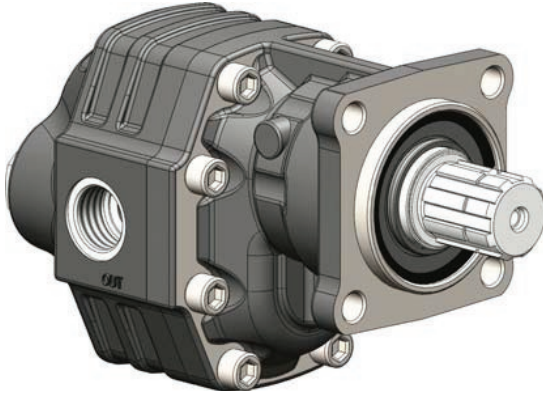


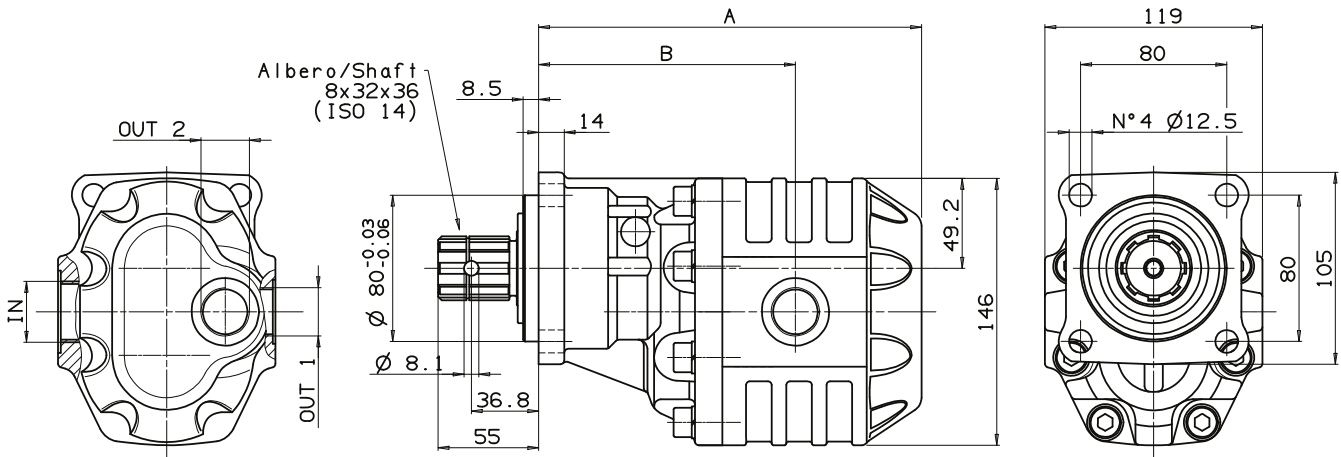
# MEDIUM TO HEAVY-DUTY GEAR PUMPS



## NPH ISO



<b>Fluid</b>	Mineral or synthetic compatible with the following seals: NBR, FKM, FPM, NYLON				
<b>Kinematic viscosity suggested</b>	Average ambient temp. (°C)	< -10	-10 ÷ 10	10 ÷ 35	> 35
	VG (cSt = mm²/s)	22	32	46	68
<b>Optimal kinematic viscosity</b>			VG = 10 cSt / 100 cSt		
<b>Max kinematic viscosity suggested at start-up</b>			VG = 750 cSt		
<b>Viscosity index suggested</b>		VI > 100	Working temperature -15°C + 100°C		
<b>Oil Filtering</b>		> 200 bar: 10 µm < 200 bar: 25 µm			
<b>Inlet pressure</b>		-0.3 ÷ 2 bar			
<b>Pump Rotation</b>		Unidirectional (Right or Left)			



PUMP TYPE	ROTATION		IN ISO 228	OUT 1 ISO 228	OUT 2 ISO 228	A mm	B mm	WEIGHT Kg
	RIGHT	LEFT						
NPH-17	105.011.00173	105.011.00182	G 1/2	G 1/2		168.5	119.5	11
NPH-22	105.011.00226	105.011.00235				172	121.5	11.5
NPH-27	105.011.00271	105.011.00280	G 3/4			174.5	124	12
NPH-34	105.011.00342	105.011.00351				179.5	125	13
NPH-43	105.011.00431	105.011.00441	G 1			185.5	130	13.5
NPH-51	105.011.00511	105.011.00520				190.5	130.5	14
NPH-61	105.011.00619	105.011.00628	G 1-1/4			195.5	136.5	14.5
NPH-73	105.011.00735	105.011.00744				204.5	135.5	15
NPH-82	105.011.00824	105.011.00833	G 1	G 3/4		209.5	140.5	15.5
NPH-90	105.011.00904	105.011.00913				220.5	148.5	15.5
NPH-100	105.011.01001	105.011.01010	G 1	G 3/4		226.5	154.5	15
NPH-125	105.011.01252	105.011.01261				242.5	158.5	17

NPH ISO\_0418 Specifications subject to change without notice.

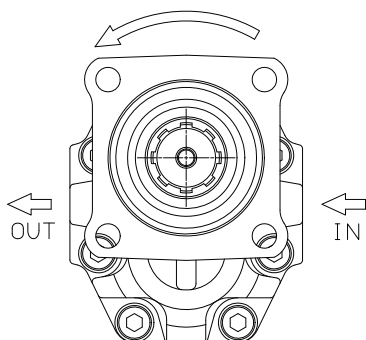
## Technical Features

PUMP TYPE	DISPLACEMENT cm <sup>3</sup> /rev	PRESSURE (BAR)			MAX. CONTINUOUS SPEED (rpm)	MAX. INTERMITTENT SPEED (rpm)	MIN. SPEED (rpm)
		P1	P2	P3			
NPH-17	17.04	290	315	325	2500	3000	300
NPH-22	22.15						
NPH-27	26.18						
NPH-34	33.88	280	300	310	2200	2800	
NPH-43	43.12	270	290	300	2000	2500	
NPH-51	50.82	240	260	280			
NPH-61	60.06	220	240	250	1800	2000	
NPH-73	72.88	200	220	230	1500	1800	
NPH-82	81.08	190	210	220			
NPH-90	90.43	180	200	220			
NPH-100	98.18	180	200	220			
NPH-125	122.72	160	180	200			

**P1**= Max continuous pressure (100%) **P2**= Max. Intermittent pressure (20 sec.max.) **P3**=Max. peak pressure (6 sec. max.)

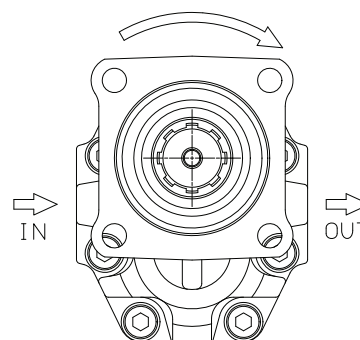
### Suction/Delivery Identification:

Anti-clockwise rotation, left pump



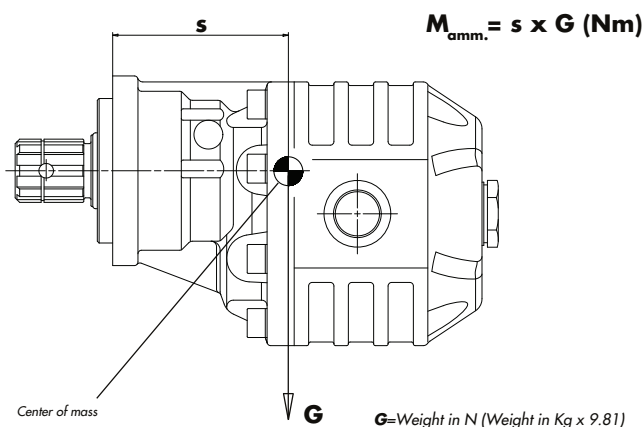
Vista FRONTALE  
FRONT

Clockwise rotation, right pump



Vista FRONTALE  
FRONT

### Mass moment



PUMP TYPE	S
NPH-17	93
NPH-22	94
NPH-27	96
NPH-34	99
NPH-43	101
NPH-51	103
NPH-61	106
NPH-73	110
NPH-82	113
NPH-90	120
NPH-100	121
NPH-125	130

NPH ISO\_0418 - Specifications subject to change without notice.