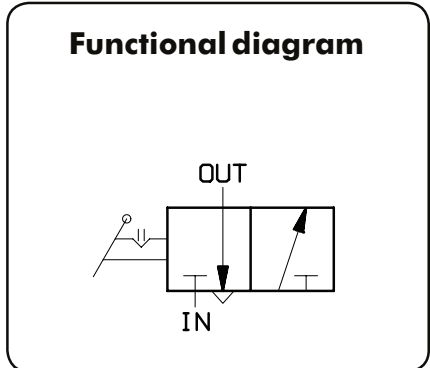
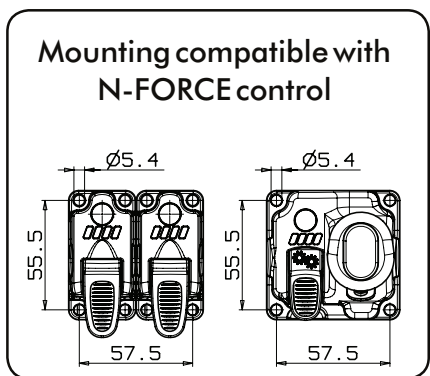
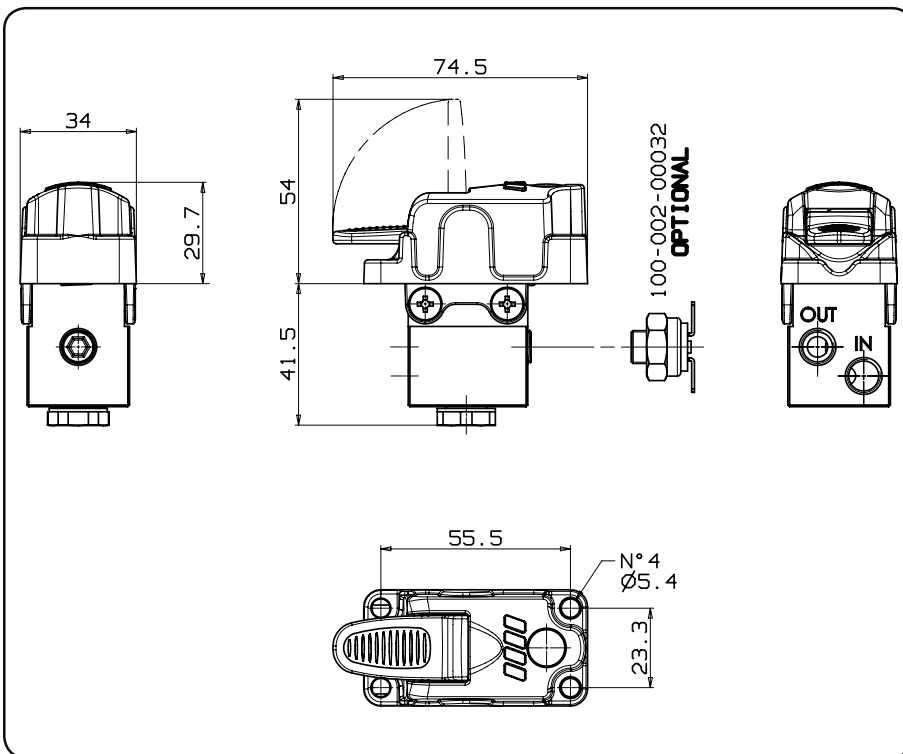


**PNEUMATIC  
CAB SWITCH**



Technical features:

- Pneumatic switch 3/2
- Maximum pressure 12 bar
- Built-in LED light for PTO control (100.1.462 only)
- Pressure switch option (100.2.32) for auxiliary signal



MODEL	
100.1.462 - c/w light	100.1.471 - no light

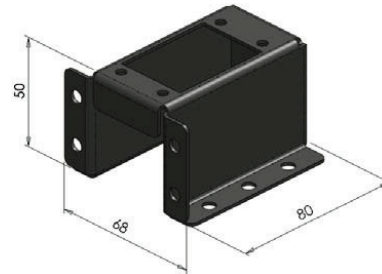


PNEUMATIC CAB SWITCH

**ACCESSORIES**

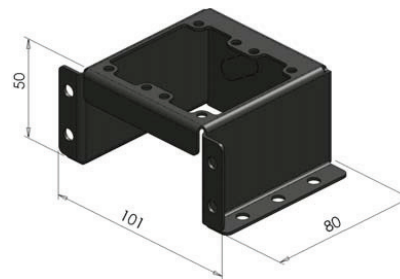
**100.2.70127**

Single-section mounting bracket.



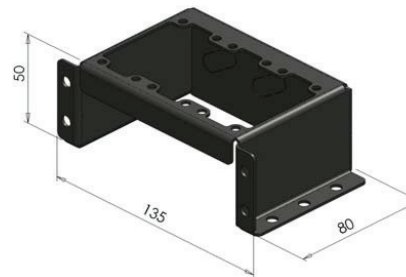
**100.2.70136**

Two-section mounting bracket.



**100.2.70145**

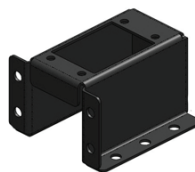
Three-section mounting bracket.



**PTO AIR CONTROL KIT**

**AIR001N**

Control, bracket, airline & fittings.



**Mounting examples:**



N-Gage



N-Force & N-Gage

Specifications subject to change without notice

11/01/2016