

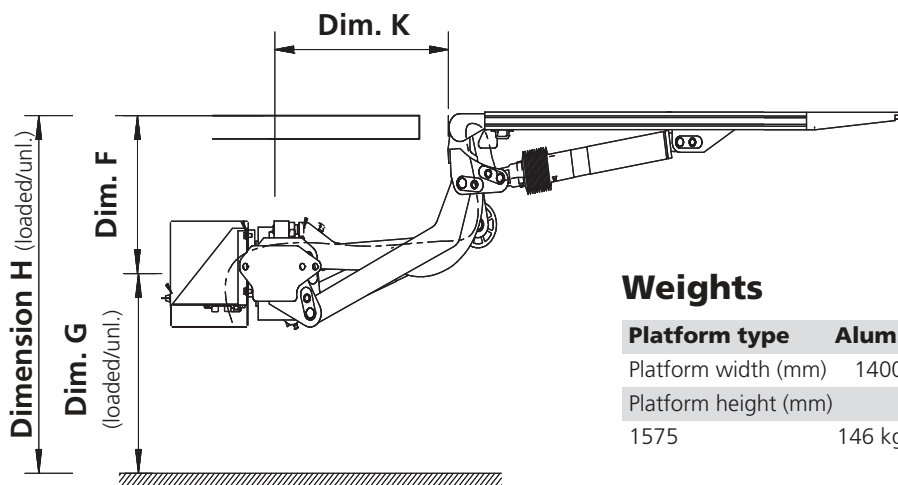
500 minifix



The 500 minifix has been specifically designed for factory built panel vans and fits virtually all models. It is probably the lightest model on the market weighing only 156kg yet lifting a full 500 kg. The lift features one open and close tilting cylinder. This special arrangement of the cylinders permits a very shallow installation. Delivered pre-wired with individual van-specific mounting brackets to permit easy fitting, without any body modifications required. The lifting device is prepared in factory for optional assembly of a removable ball-head coupling. An 800 mm half-width platform is also available, giving free access to the rear door.

the perfect solution for vans

500 minifix



Weights

Platform type	Alum.
Platform width (mm)	1400
Platform height (mm)	1575
	146 kg

Dimensions

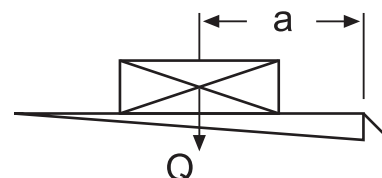
		500 minifix
Lift arms (in mm)		500
H (max.)	Loading height unloaded	780
H (min.)	Loading height loaded	450
F (max.)	Middle of main beam to upper edge of loading floor	340
K (min.)	At dimension F (max.)	546
D (min.)	Installation space (min.)	729
F (min.)		-
K (max.)	At dimension F (min.)	-
D (max.)	Installation space (max.)	-

Technical data

Lifting capacity	500 kg
Main beam	110 x 110 mm
Lifting gear hydraulics	1 x lift cylinder / 1 x tilt cylinder
Platform overlap with floor	-
Lift arm pitch	600 mm
Load centre - lengthwise	600 mm
Load centre - across center	50 % of the full load on one side
Inclination angle of the platform	+90° to -10°

Diagram

a (mm)	Q (kg)
600	500
700	430
820	360
1120	260



Disclaimer: The specified weights refer to the lightest platforms of the corresponding height. Dimensions may vary. Specifications subject to change without notice.