

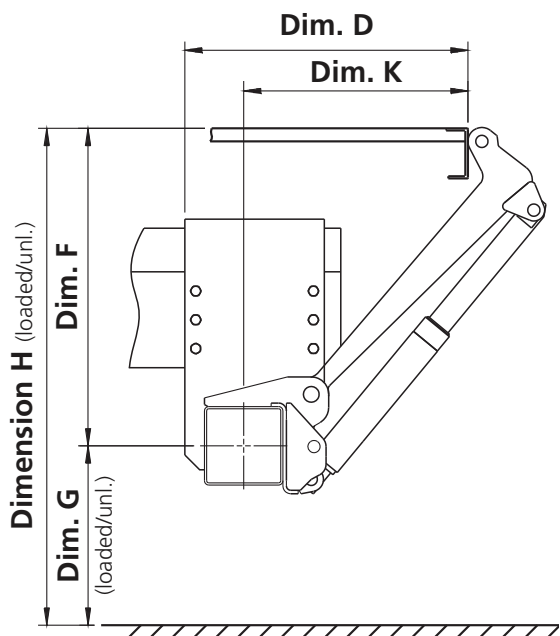
# 2500 / 3000 K



The 2500 / 3000 K lifts have been cleverly designed to provide exceptionally stable four-cylinder lifts capable of lifting goods up to 3000 kg, making them ideal for the transportation of motor vehicles and computerised products. Available with either steel or aluminium platforms with a load centre of 1000 or 1200 mm. Optional hydraulic stabiliser jacks provide additional load stability. A powerful, low-noise power pack in the square main beam reduces noise during loading or unloading to a minimum.

# The most powerful lift in the range

# 2500 / 3000 K



## Weights

Platform type	Alum.
Platform width (mm)	2450
Platform height (mm)	
2200	737 kg
2400	780 kg

Platform type	Steel
Platform width (mm)	2450
Platform height (mm)	
2209	969 kg
2309	985 kg
2409	1001 kg

## Dimensions

2500 / 3000 K		
<b>Lift arms (in mm)</b>		<b>900</b>
H (max.)	Loading height unloaded	1554
H (min.)	Loading height loaded	1030
F (max.)	Middle of main beam to upper edge of loading floor	924
K (min.)	At dimension F (max.)	654
D (min.)	Installation space (min.)	809
F (min.)		645
K (max.)	At dimension F (min.)	901
D (max.)	Installation space (max.)	1056

## Diagram

### 2500 K

a (mm)	Q (kg)
1200	2500
1400	2100
1600	1875
1800	1650
2400	1250

### 3000 K

a (mm)	Q (kg)
1000	3000
1200	2500
1500	2000
1800	1650
2400	1250

## Technical data

	2500 K	3000 K
Lifting capacity	2500 kg	3000 kg
Main beam	180 x 180 mm	180 x 180 mm
Lifting gear hydraulics	2 x lift cylinder / 2 x tilt cylinder	
Platform overlap with floor	- 72 mm	- 72 mm
Lift arm pitch	1300 mm	1300 mm
Load centre - lengthwise	1200 mm	1000 mm
Load centre - across center	50 % of the full load on one side	
Inclination angle of the platform	+90° to -10°	+90° to -10°

Disclaimer: The specified weights refer to the lightest platforms of the corresponding height. Dimensions may vary. Specifications subject to change without notice.

