

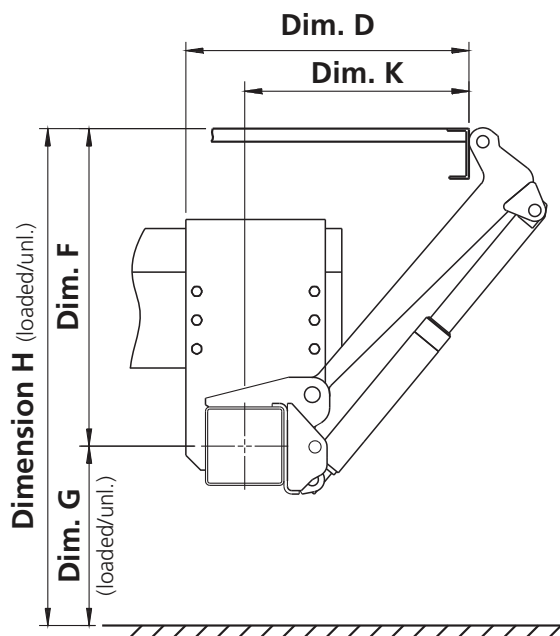
# 1500 K



Probably the most reliable, heavy duty lift on the market with a lifting centre of 1000 mm. Suitable for a wide range of applications and fits most vehicle bodies and trailers. The 4-cylinder lift mechanism is available with 5 different lift arms, ranging from 700 mm to 1100 mm. Both steel and aluminium platforms are 'made to measure' available up to a maximum depth of 2800 mm.

# Robust, dependable and efficient

# 1500 K



## Weights

Platform type	Alum.
Platform width (mm)	2450
Platform height (mm)	2200
	548 kg

## Dimensions

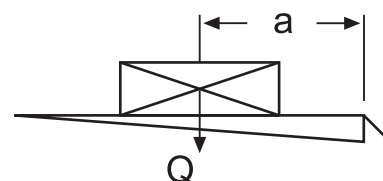
		1500 K
<b>Lift arms (in mm)</b>		<b>700</b>
H (max.)	Loading height unloaded	1200
H (min.)	Loading height loaded	883
F (max.)	Middle of main beam to upper edge of loading floor	650
K (min.)	At dimension F (max.)	618
D (min.)	Installation space (min.)	768
F (min.)		508
K (max.)	At dimension F (min.)	726
D (max.)	Installation space (max.)	87

## Technical data

		1500 K
Lifting capacity		1500 kg
Main beam		180 x 180 mm
Lifting gear hydraulics		2 x lift cylinder / 2 x tilt cylinder
Platform overlap with floor		- 63 mm
Lift arm pitch		1300 mm
Load centre - lengthwise		1000 mm
Load centre - across center		50 % of the full load on one side
Inclination angle of the platform		+90° to -10°

## Diagram

a (mm)	Q (kg)
1000	1500
1200	1250
1500	1000
1850	800
2400	600



Disclaimer: The specified weights refer to the lightest platforms of the corresponding height. Dimensions may vary. Specifications subject to change without notice.